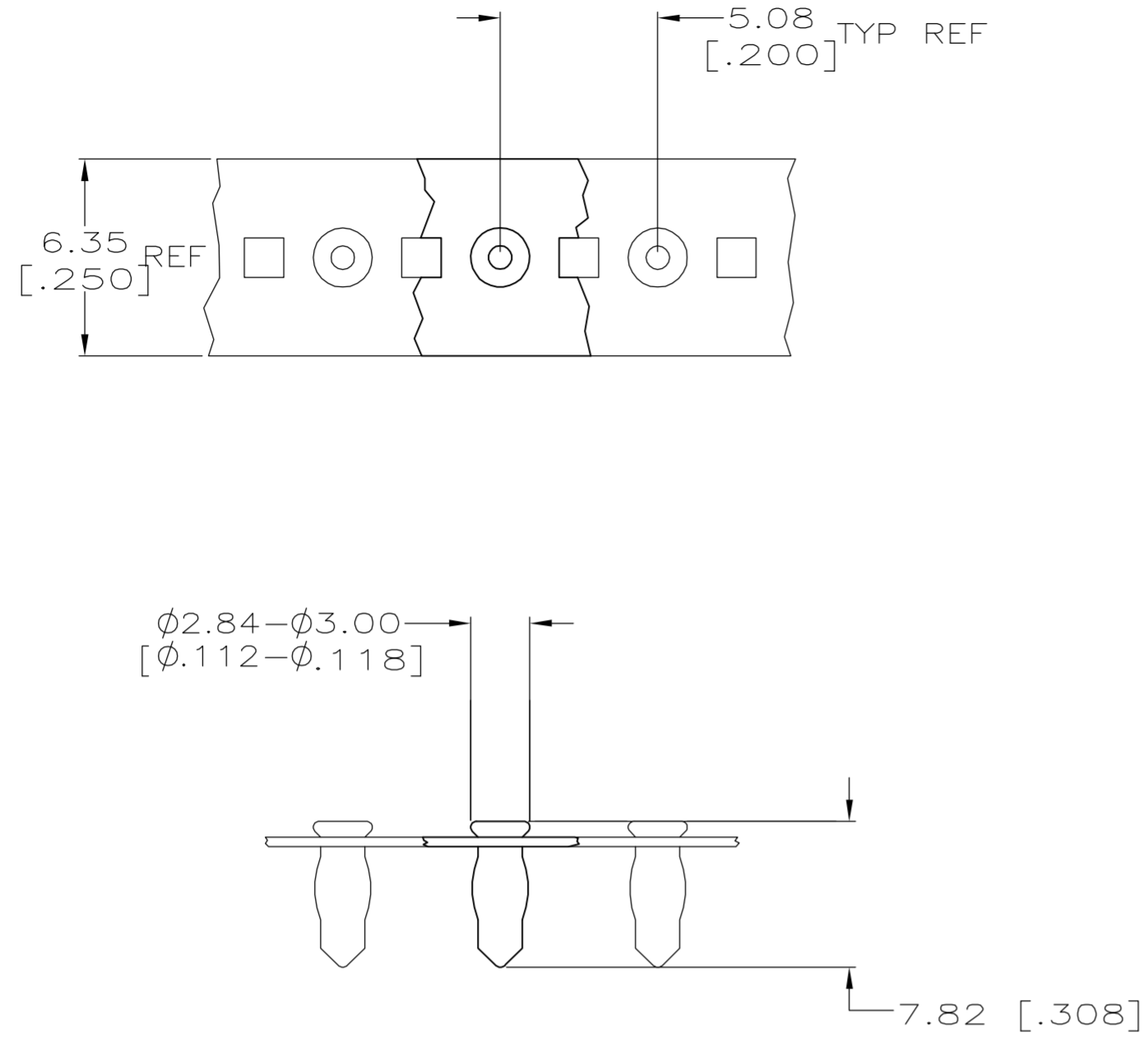
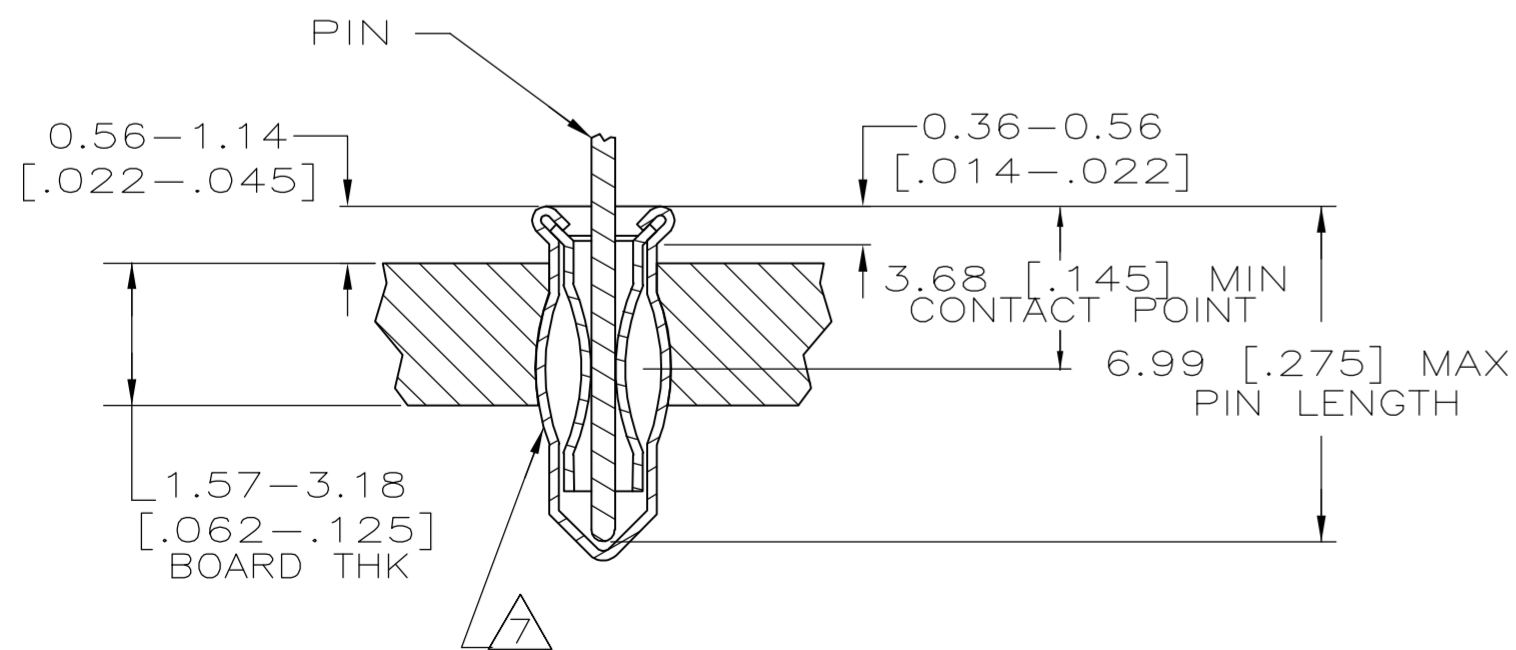


THIS DRAWING IS UNPUBLISHED. RELEASED FOR PUBLICATION
 © COPYRIGHT BY TYCO ELECTRONICS CORPORATION. ALL RIGHTS RESERVED.

LOC	DIST	REVISIONS					
AG	53	P	LTR	DESCRIPTION	DATE	DWN	APVD
		0		RELEASED.	21SEP2005	JGH	JGH



- 1 MATERIAL:
EYELET - COPPER PER ASTM B 152
SPRING - BERYLLIUM COPPER PER ASTM B 194
- 2 TIN PLATE PER ASTM B 545 0.00381 [.000150] MIN THICK.
- 3 TIN PLATE PER ASTM B 545 0.00254 [.000100] MIN THICK.
- 4 GOLD PLATE PER ASTM B 488 0.00076 [.000030] MIN THICK ON CONTACT AREA.
- 5 PACKAGED 25,000 PER REEL
- 6 TO INSURE 1/2 OZ MIN RETENTION DO NOT EXCEED 0.10 [.004] DIFFERENCE IN PIN DIA WHEN CHANGING TO A SMALLER DIA PIN
- 7 PRODUCT IS OVALIZED FOR RETENTION IN THE P.C. BOARD. THE RECOMMENDED HOLE DIAMETER IS 2.59 [0.102] MINIMUM, +0.08 [.003] MAX. PRIOR TO SOLDERING.
- 8 PACKAGED 10,000 PER REEL



3.76-6.99 [.145-.275]	1.07-1.24 [0.042-0.049]	GOLD 4	TIN 2	1-5645979-2 8
3.76-6.99 [.145-.275]	1.07-1.24 [0.042-0.049]	TIN 3	TIN 2	5645979-1 5
LENGTH	DIAMETER	SPRING	EYELET	PART NUMBER
PIN		FINISH		

THIS DRAWING IS A CONTROLLED DOCUMENT.		DWN J. HAVENER 21SEP2005	Tyco Electronics Corporation Harrisburg, PA 17105-3608	
DIMENSIONS: mm [INCHES]		CHK J. HAVENER 21SEP2005		
TOLERANCES UNLESS OTHERWISE SPECIFIED:		APVD J. HAVENER 21SEP2005	NAME MINIATURE SPRING SOCKET ASSY	
0 PLC ± -		PRODUCT SPEC	SERIES 5	
1 PLC ± -		APPLICATION SPEC	WITHOUT SEALANT	
2 PLC ± -		114-26004	SIZE A2	CAGE CODE 00779
3 PLC ± 0.20 [.008]		WEIGHT -	DRAWING NO C=5645979	
4 PLC ± -		CUSTOMER DRAWING	SCALE 10:1	SHEET 1 of 1
ANGLES ± -			REV 0	
FINISH SEE TABLE				

5645979